



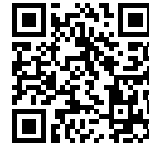
Cip-Cip

Built-in socket

Code: 8000 017

Socket-holder for built-in installation on work surfaces

-2 Schuko sockets Power cable supplied



DETAILS

Built-in hole

[View technical data sheet](#)

Notes:

It's advisable to keep a distance of 40 cm from sinks or cooking hobs (protection index IP20)

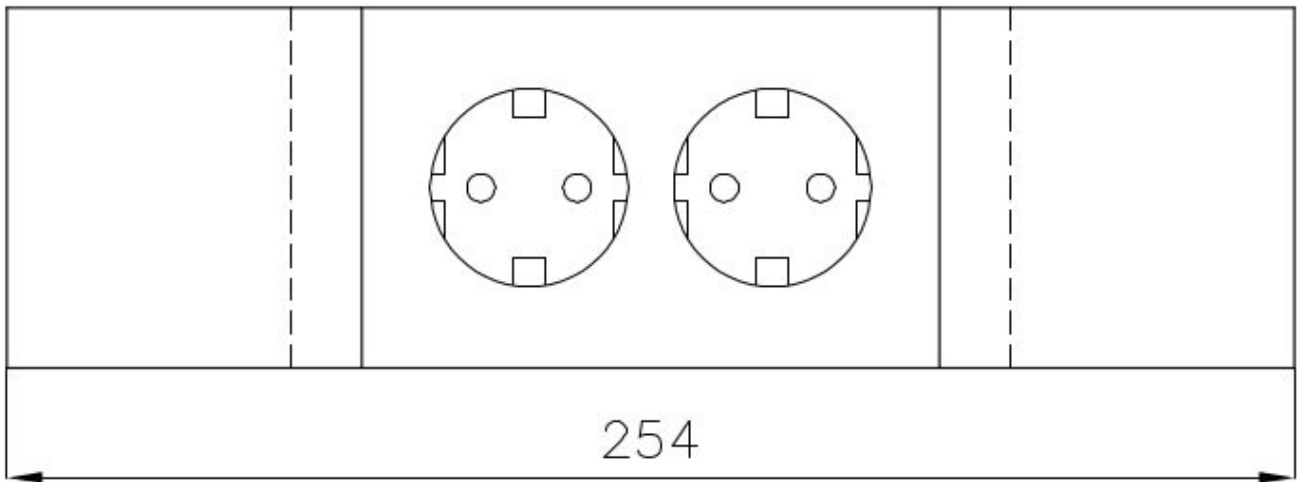
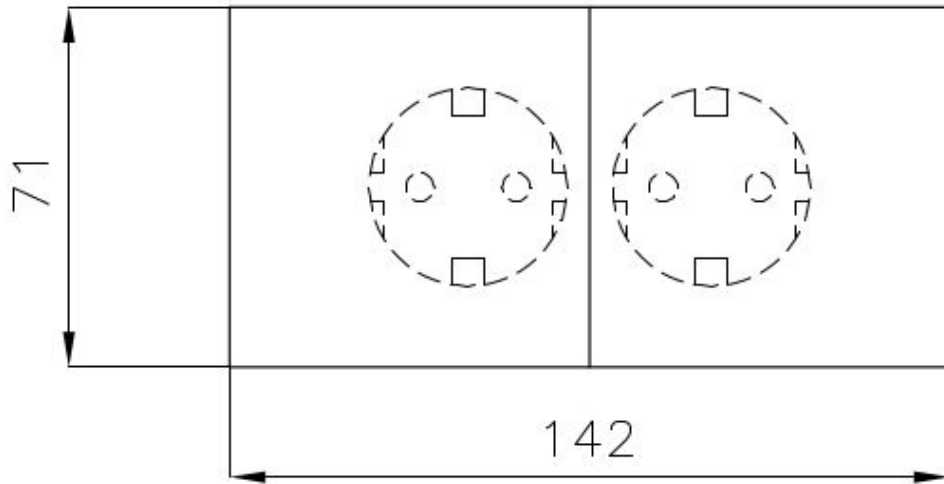
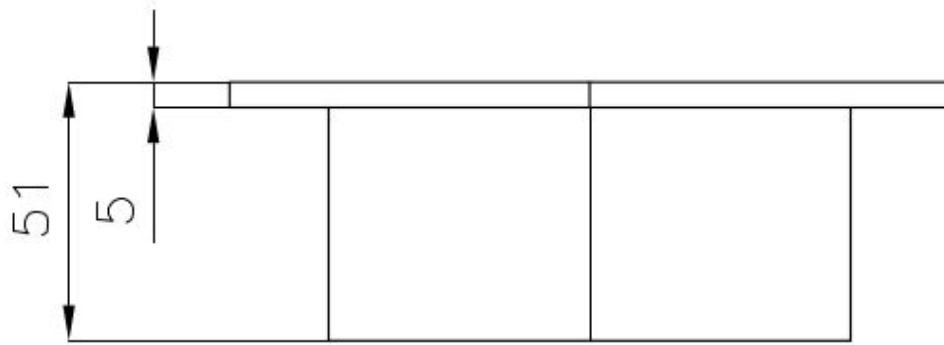
Notes:

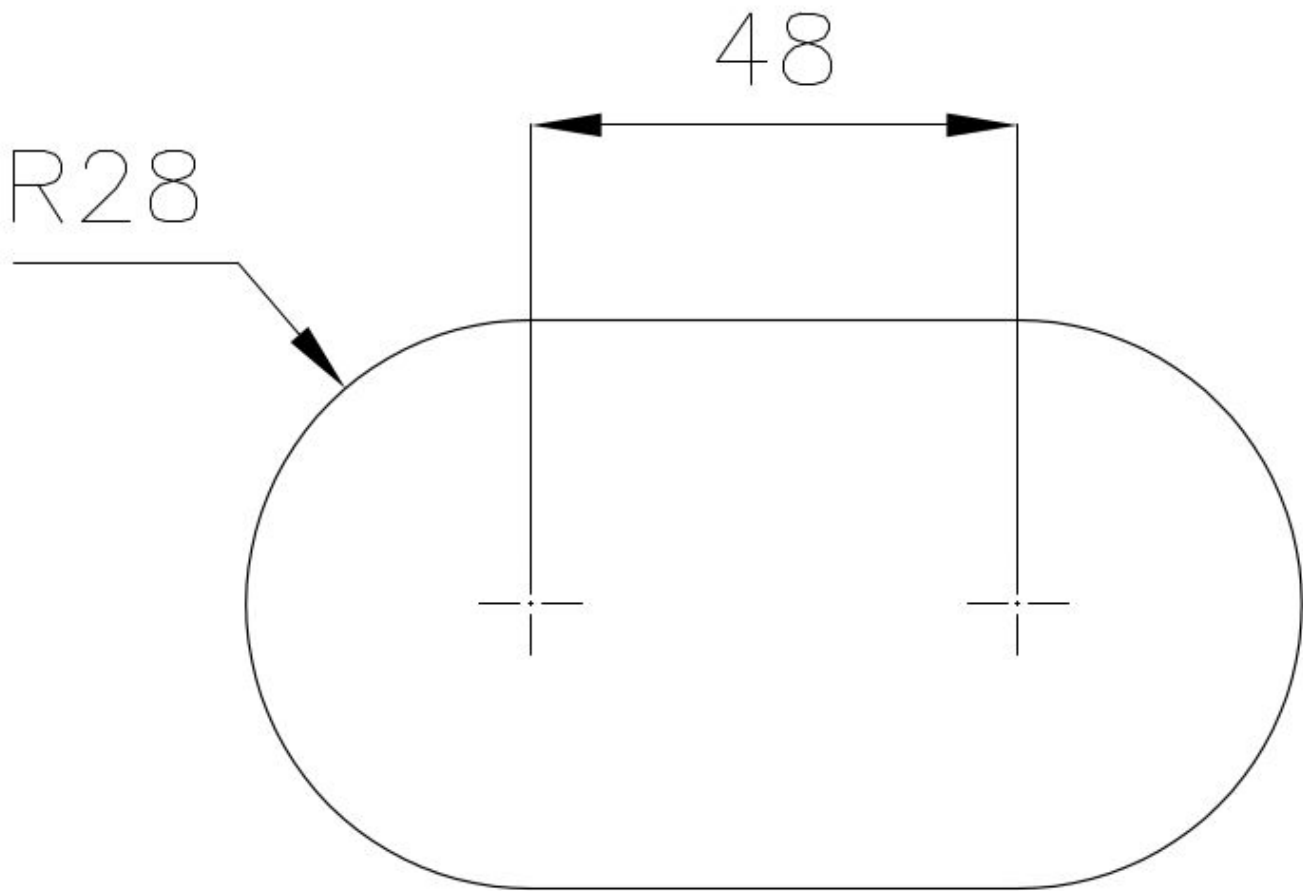
Optional accessories: 8000 217 white socket cover kit / 8000 317 black socket cover kit

Type of accessory

c

TECHNICAL DATA





Cut out size
Dimensioni per foratura

GALLERY

